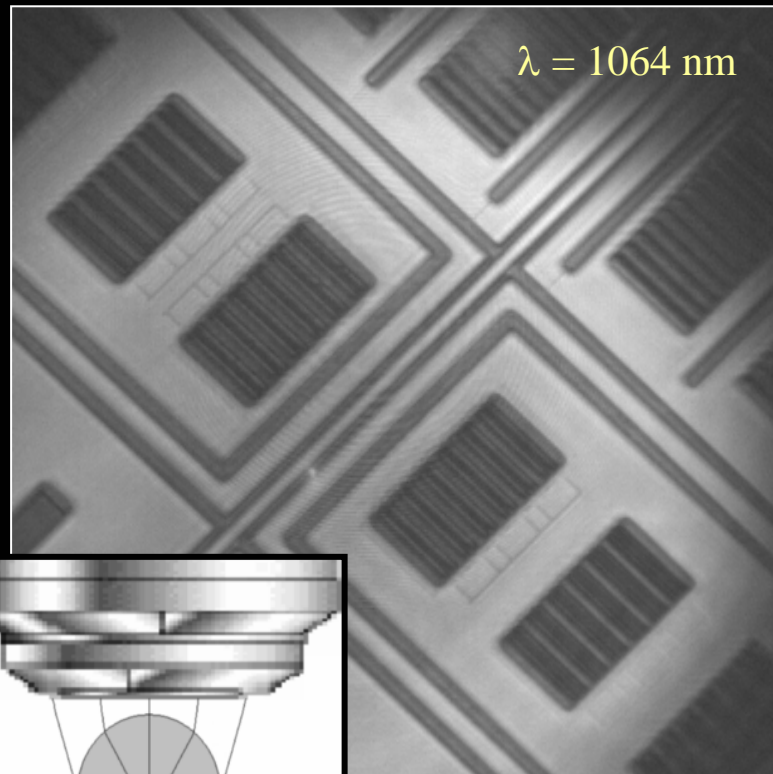
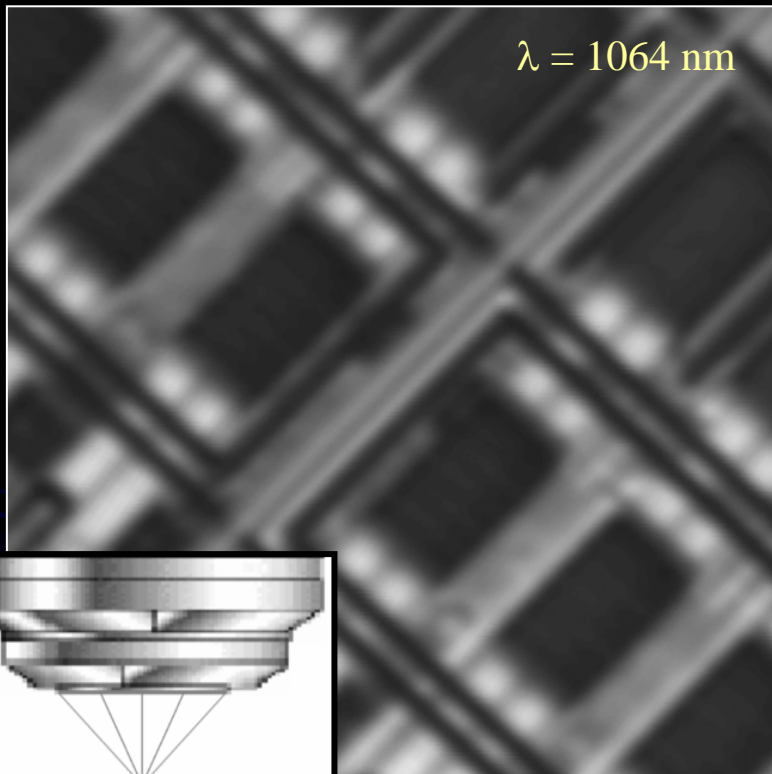


LONG-RANGE SUBSURFACE IMAGING OF INTEGRATED SILICON DEVICES



Selim Unlu, Boston University



Conventional 50X objective + AR

10X objective with NAIL